

## Adapter / Adaptateurs

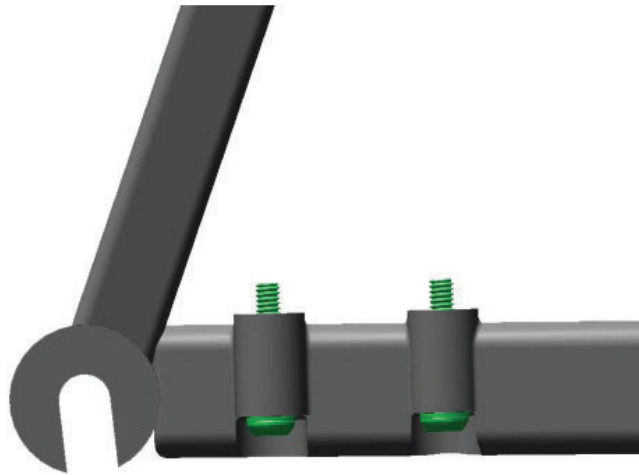
		Grösse Bremsscheiben / Taille disque de frein							
		140 mm	160 mm	170 mm	180 mm	185 mm	200 mm	203 mm	220 mm*
<b>Gabel / Rahmen Standard</b>	140 IS	0 IS	20 IS	30 IS	40 IS	45 IS	60 IS		
	140 Post	Direct	20 S 20 P	30 P	40 P				
<b>Fourche / Cadre Standard</b>	Flat Mount	Front 0 F Rear Direct	Front 20 F Front Direct Rear 20 F						
	160 IS		0 IS		20 IS	25 IS	40 IS		60 IS
	160 Post		Direct	10 S	20 S 20 P	25 S	40 P		
	180 Post				Direct		20 S 20 P		40 P
	200 Post BOXXER® 27						Direct	3 S	20 S 20 P
	203 Post							Direct	17 P

\* 220 mm Bremsscheiben sind für die Verwendung mit 4-Kolben Bremsätteln ausgelegt.

\* Les disques de frein de 220 mm sont conçus pour être utilisés avec des étriers à 4 pistons.

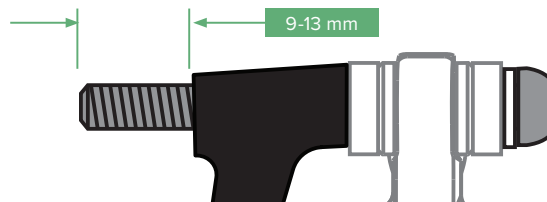
Bei der Montage von Flat Mount Bremsätteln muss das Gewinde 5–7 mm im Bremssattel greifen.

Lors du montage d'étriers de frein Flat Mount le filet doit s'engager à 5–7 mm dans l'étrier.



Bei der Montage von Post Mount Bremsätteln muss das Gewinde 9–13 mm in Gabel oder Rahmen greifen.

Lors du montage d'étriers de frein Post Mount le filet doit s'engager sur 9-13 mm dans la fourche ou cadre.

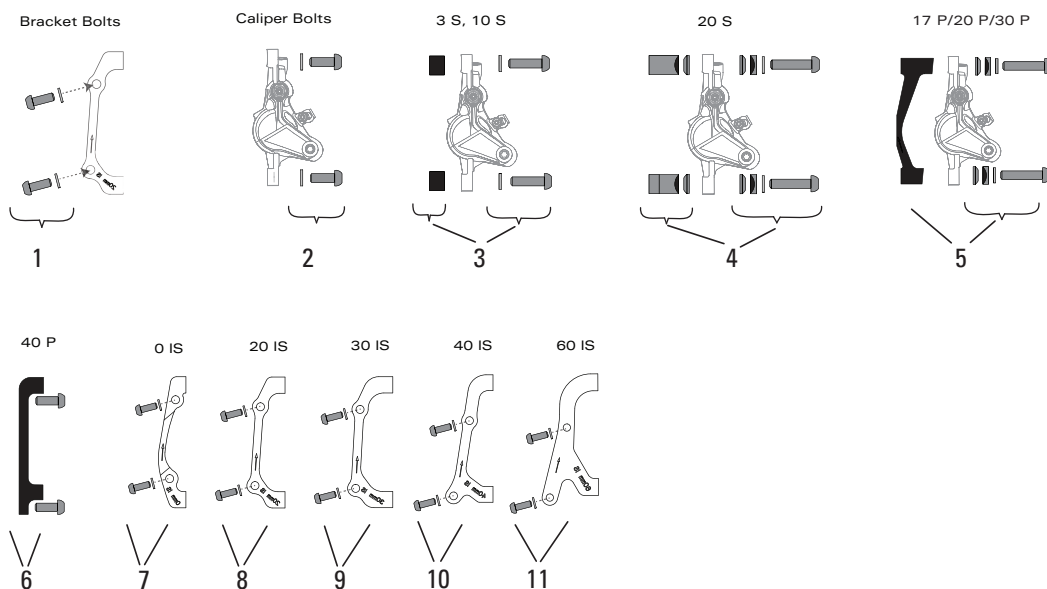


## Adapter / Adaptateurs

### Adapter Standard & CPS / Standard adaptateur & CPS

Standard: Guide, Level, Trail, DB, Road Hydraulic (XX, X0, Elixir 1 2013+) (Code R, Code RSC 2018+)

CPS: Guide RE, BB7, BB5, Elixir 9/7/5/3, Juicy (Code, Code R < 2018) (XX, X0, Elixir 1 < 2013)



No.	Art.	Produkt / Produit
1	8206 660 012	Bracket Mounting Stainless Bolts Qty 2
1	8206 660 013	Bracket Mounting Titanium Bolts T25 Qty 2
2	8206 660 014	Caliper Mounting Hardware Stainless (CPS & Standard)
2	8206 660 016	Caliper Mounting Hardware Titanium (CPS)
2	8206 660 015	Caliper Mounting Hardware Titanium (Standard)
2	8206 660 039	Caliper Mounting Hardware Stainless Rainbow (Std)
3	8206 660 018	Post Spacer Set 10S Stainless (CPS & Standard)
3	8206 660 222	Fork Caliper Spacer Kit - 3S (for 203 mm Rotor)
4	8206 660 019	Post Spacer Set 20S Stainless (CPS & Standard)
4	8206 660 021	Post Spacer Set 20S Titanium T25 (CPS)
4	8206 660 020	Post Spacer Set 20S Titanium T25 (Standard)
5	8206 660 022	Post Bracket 17P (rear 203mm to 220mm)
5	8206 660 161	Post Bracket - 20P (F 180 / R 160) (CPS & Standard)
5	8206 660 220	Post Bracket - 20P (F180 / R160) (Standard) Hardware Rainbow
5	8206 660 159	Post Bracket - 30P (Rear 170) (CPS & Standard)
6	8206 660 160	Post Bracket - 40P (Front 200 / Rear 180)
6	8206 660 221	Post Bracket - 40P (F200 / R180) Hardware Rainbow
7	8206 660 162	IS Bracket - 0 IS (Front 160 / Rear 140)
8	8206 660 163	IS Bracket - 20 IS (Front 180 / Rear 160)
9	8206 660 164	IS Bracket - 30 IS (Rear 170)
10	8206 660 165	IS Bracket - 40 IS (Front 200 / Rear 180)
11	8206 660 166	IS Bracket - 60 IS (Rear 200)

### Post Bracket - Maven



■ Empfohlen für: Maven Ultimate, Maven Silver, Maven Bronze

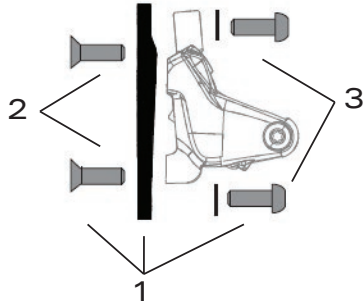
■ Recommandé pour: Maven Ultimate, Maven Silver, Maven Bronze

Art.	Produkt / Produit	Größe Bremsscheiben / Taille disques de frein
8206 660 307	20 P 1	160 / 180 mm (140 to 160 or 160 to 180)
8206 660 308	20 P 2	200 / 220 mm (180 to 200 or 200 to 220)

## Adapter / Adaptateurs

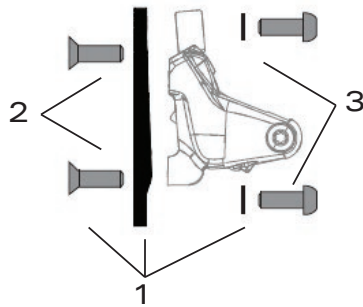
### Adapter Flat Mount / Adaptateurs Flat Mount

Upper Button Head Bolt Length	Lower Button Head Bolt Length
-------------------------------	-------------------------------



**Front Flat 140-0F**

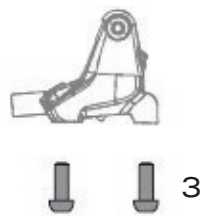
15 mm	15 mm
-------	-------



**Front Flat 160-20F**

15 mm	15 mm
-------	-------

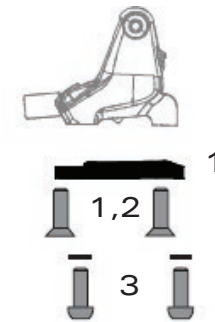
Upper Button Head Bolt Length	Lower Button Head Bolt Length
-------------------------------	-------------------------------



**Rear Flat Direct-0F Direct**

17 mm	17 mm
22 mm	22 mm
27 mm	27 mm
32 mm	32 mm
37 mm	37 mm
42 mm	42 mm

Upper Button Head Bolt Length	Lower Button Head Bolt Length
-------------------------------	-------------------------------



**Rear Flat 20F**

17 mm	17 mm
22 mm	22 mm
27 mm	27 mm
32 mm	32 mm
37 mm	37 mm
42 mm	42 mm

No.	Art.	Produkt / Produit
1	8206 660 167	Flat Mount Bracket Front - 0F/20F (Front 140/160)
1	8206 660 168	Flat Mount Bracket Rear - 20F(Rear 160)
2	8206 660 037	Caliper Mounting Hardware Stainless 5 mm Flatmount
2	8206 660 038	Caliper Mounting Hardware Titanium 5 mm Flatmount
3	8206 660 023	Bracket Mounting Bolts T25 Stainles 15 mm Flatmount
3	8206 660 024	Bracket Mounting Bolts T25 Titanium 15 mm Flatmount
3	8206 660 033	Bracket Mounting Bolts T25 Stainles 17 mm Flatmount
3	8206 660 034	Bracket Mounting Bolts T25 Titanium 17 mm Flatmount
3	8206 660 035	Bracket Mounting Bolts T25 Stainles 22 mm Flatmount
3	8206 660 036	Bracket Mounting Bolts T25 Titanium 22 mm Flatmount
3	8206 660 025	Bracket Mounting Bolts T25 Stainles 27 mm Flatmount
3	8206 660 026	Bracket Mounting Bolts T25 Titanium 27 mm Flatmount
3	8206 660 027	Bracket Mounting Bolts T25 Stainles 32 mm Flatmount
3	8206 660 028	Bracket Mounting Bolts T25 Titanium 32 mm Flatmount
3	8206 660 029	Bracket Mounting Bolts T25 Stainles 37 mm Flatmount
3	8206 660 030	Bracket Mounting Bolts T25 Titanium 37 mm Flatmount
3	8206 660 031	Bracket Mounting Bolts T25 Stainles 42 mm Flatmount
3	8206 660 032	Bracket Mounting Bolts T25 Titanium 42 mm Flatmount