



CLEAT

RANGE

LOOK CLEAT RANGE

KEO

GRIP

CLEAT

DELTA



USP

- GRIP SURFACE FOR ANTI SLIP WALK
- MEMORY POSITION
- 3 FLOAT OPTIONS

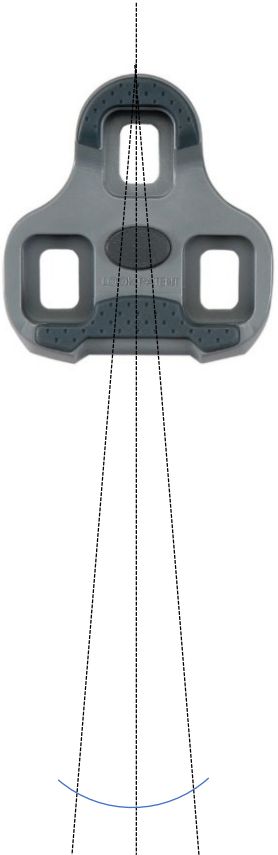
- LOW FRICTION FRONT AND REAR INSERTS FOR EASY CLIP IN / CLIP OUT
- MEMORY POSITION
- 3 FLOAT OPTIONS

- LOW FRICTION FRONT AND REAR INSERTS FOR EASY CLIP IN / CLIP OUT
- MEMORY POSITION
- 2 FLOT OPTIONS

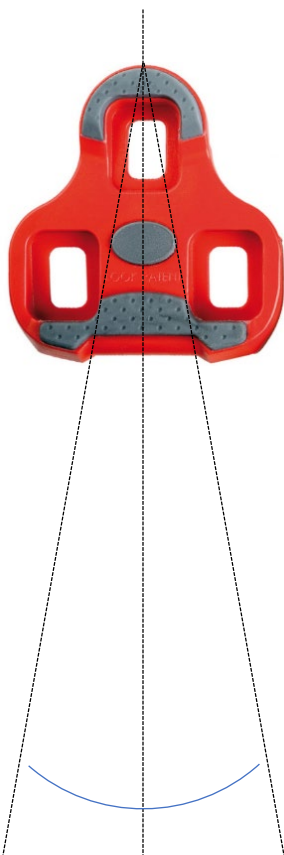
CLEAT FLOAT OPTIONS



FLOAT 0°



FLOAT 4.5°



FLOAT 9°

FLOAT OPTIONS DEPEND ON THE SLOPE
ANGLE ON THE BACK OF THE CLEAT

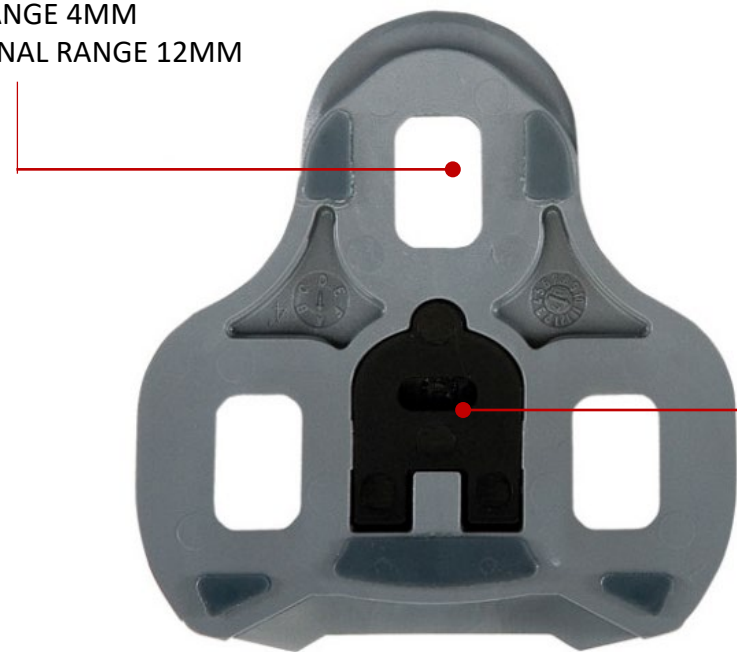
KEO GRIP

PAD
PREVENTS PLAY
BETWEEN CLEAT
AND PEDAL



**GRIP
SURFACE**
PREVENTS
SLIPS

3 ADJUSTMENT WINDOWS
LATERAL RANGE 4MM
LONGITUDINAL RANGE 12MM



**MEMORY
CLIP** MAKES
CLEAT CHANGE
VERY SIMPLE



FLOAT OPTIONS

0°

4.5°

9°

SKU | 8151

8150

8152

KEO CLEAT

WEAR INDICATORS
WHEN WHITE MATERIAL IS REACHED CLEAT HAS TO BE CHANGED

LOW FRICTION MATERIAL
TO MAKE EASIER CLIP IN AND CLIP OUT

PAD
PREVENTS PLAY BETWEEN CLEAT AND PEDAL

MEMORY CLIP
MAKES CLEAT CHANGE VERY SIMPLE

WEAR INDICATORS

3 ADJUSTMENT WINDOWS
LATERAL RANGE 4MM
LONGITUDINAL RANGE 12MM

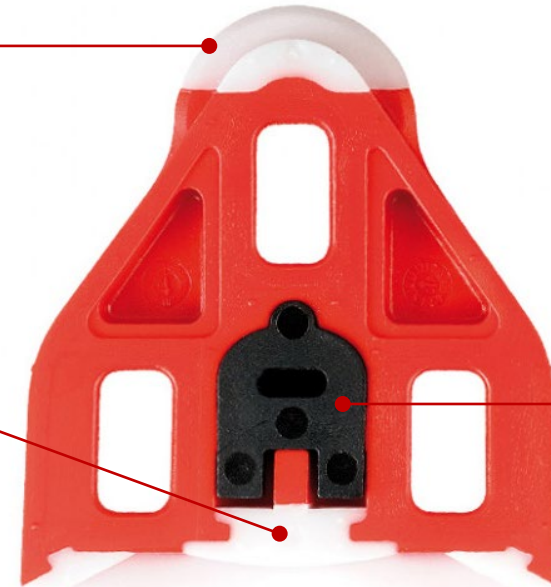
			FLOAT OPTIONS
0°	4.5°	9°	
SKU 8148	8147	8149	

DELTA

PAD
PREVENTS PLAY
BETWEEN CLEAT
AND PEDAL



**LOW FRICTION
MATERIAL**
TO MAKE EASIER CLIP
IN AND CLIP OUT



**MEMORY
CLIP** MAKES
CLEAT CHANGE
VERY SIMPLE

3 ADJUSTMENT WINDOWS
LATERAL RANGE 4MM
LONGITUDINAL RANGE 12MM



0°

SKU | 8145

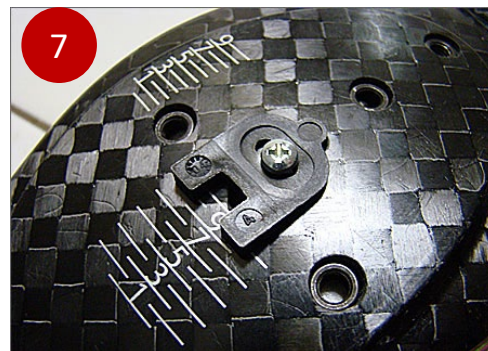


9°

8146

FLOAT OPTIONS

MEMORY CLIP



HOW TO USE MEMORY CLIP ?

1° / YOUR SHOE OUTSOLE HAS TO BE EQUIPED WITH A CENTER CHANNEL TO FIX THE LOOK MEMORY CLIP

2° / REMOVE THE RUBBER PAD FROM THE CLEAT

3° / POSITION THE CLEAT ON THE SHOE AND SECURE THE MEMORY CLIP ON THE SHOE THANKS TO THE SCREW PROVIDED WITH YOUR SHOES

4° / ADJUST THE CLEAT ON THE SHOE AND TIGHT IT

5° / TIGHT THE MEMORY CLIP

6° / RE-POSITION THE RUBBER PAD ON THE CLEAT. THE RUBBER PAD IS FLEXIBLE, A SLIGHT FEXION WILL POP IT BACK IN PLACE .

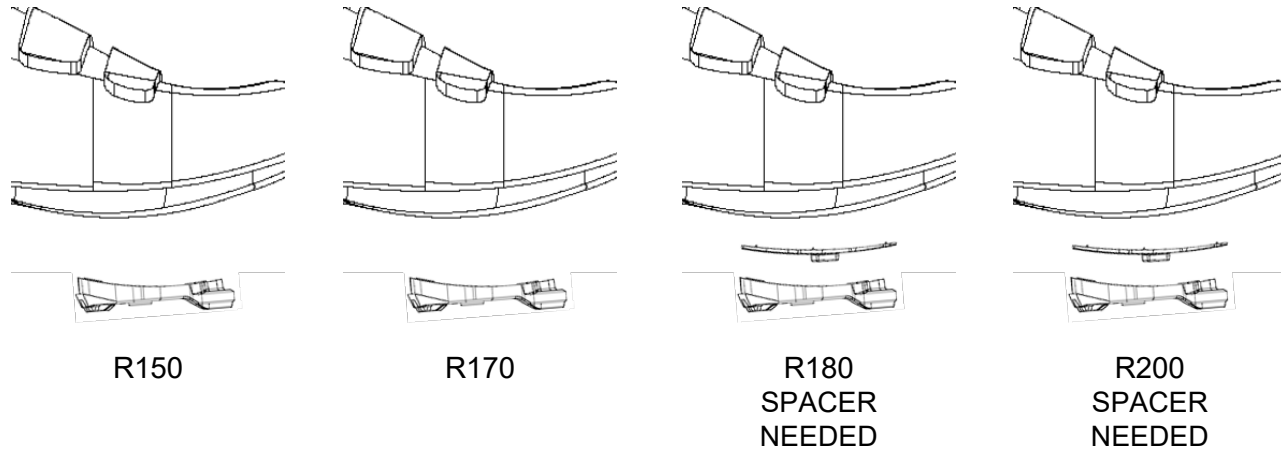
7° / THEN WHEN YOU WILL NEED TO REPLACE THE CLEAT, THE MEMORY CLEAT WILL REMAIN IN PLACE AND ENSURE THE NEW CLEAT TO BE POSITIONNED EXACTLY AT THE SAME PLACE

FLAT SOLE SPACERS

R200

SPACER NEEDED

KEO SPACER



SHOE MODELS EXAMPLE FOR YOUR REFERENCE

SIDI	WIRE	R185
SIDI	KAOS	R170 -
SIDI	ERGO 5	R170 -
GIRO	PRO LIGHT	R170
GIRO	FACTOR	R170
GIRO	EMPIRE	R170
NORTHWAVE	EXTREM PRO	R200
NORTHWAVE	EXTREME GT	R170
FIZIK	INFINITO R1 KNIT	R170 / R185
FIZIK	INFINITO R1	R170 / R185
SPECIALIZED	SW7	R200
SPECIALIZED	TORCH3 S42	R155
SPECIALIZED	TORCH3 S44	R170
GIANT	SURGE PRO HV	R200 +
GIANT	SURGE PRO ELITE	R200 +

SKU | 17445



OUTSOLE ARE NOT ALWAYS RIGHT

CLEATS BACK SIDE ARE DEVELOPPED WITH A SPECIFIC CURVE (RADIUS 150).

THIS IS A STANDARD IN THE BICYCLE INDUSTRY.

BUT RECENT FLAT SOLED SHOES TREND LAUNCHED BY FEW MANUFACTURERS INTERFERS WITH THE PROPPER CLEAT / SHOE COMPATIBILITY.

YOU CAN MEASURE OUTSOLE RADIUS WITH LOOK RED TOOL. RADIUS HAS TO BE LOWER THAN 170.

OTHERWISE LOOK RECOMMENDS TO USE A SPACER – SLIM WEDGE – BETWEEN SOLE AND CLEAT TO AVOID CLEAT DEFORMATION WHEN BEING TIGHTEN THAT COULD BRING UNPLEASANT CREAKING SOUND.

CHECK TECHNICAL VIDEO FOR MORE INFO

https://www.youtube.com/watch?v=Ci_qtbONT6c